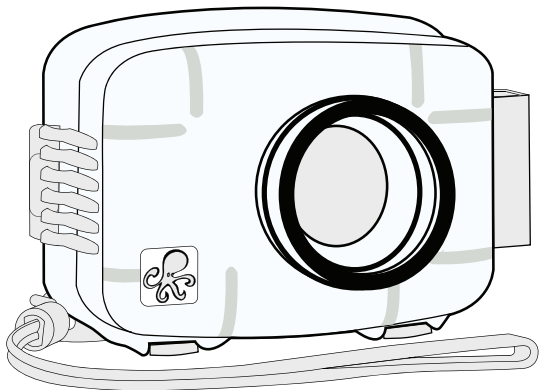




Digital Housing

Supplemental Instructions

6210.53 Sony DSC-W530

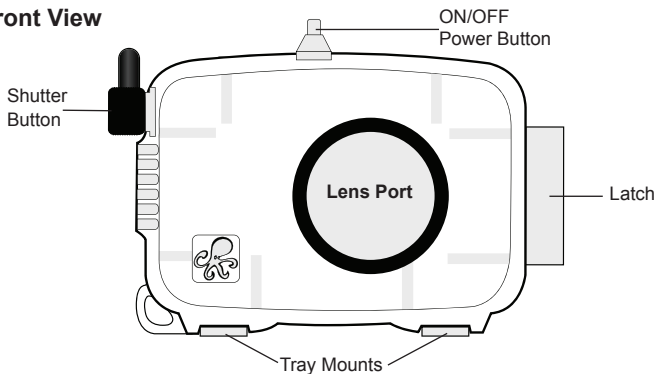


Size and Weight

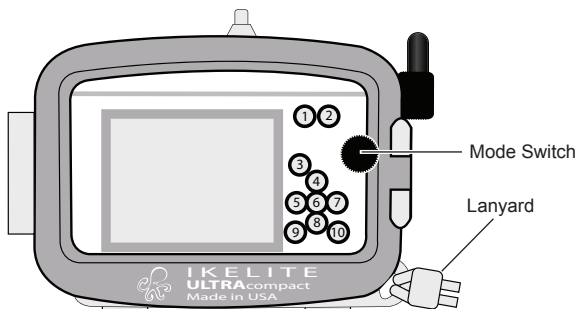
Width	6.2 in. (157mm) including controls
Height	4.4 in. (112mm) including controls
Depth	3.6 in. (91mm) including controls & lens port
Weight	1.1 lb. (499g)
Buoyancy	Slightly positive in fresh water

Parts of the Housing

Front View




Back View



1. Zoom Wide
2. Zoom Telephoto
3. Playback
4. Control Button Up ▲
5. Control Button Left ◀
6. Control Button Set ●
7. Control Button Right ▶
8. Control Button Down ▼
9. Menu Button
10. Delete Button

Initial Camera Settings

- Fully charge camera battery.
- Insert and Format an SD memory card (2 GB or higher recommended).
- Set Date and Time.
- Set REC Mode to “P” Program Auto.
- Set White Balance to Auto “WB AUTO.”
- Set Metering Mode to “Center.”
- Set Focus to “Center AF.”
- Set ISO to 80.
- Set Flash to “On  Always use flash.”
- Set Image Size to “14M.”
- Set Red Eye Reduction to “Off.”

Note: If overexposure occurs, back away from the subject and zoom in.

A strobe focusing light is recommended to assist AF underwater.

External Accessory Lenses

An external wide angle conversion lens increases angle of coverage so you can get much closer to your subject while still fitting everything in the frame. By reducing the amount of water between the subject and your camera lens, the resulting image will be more crisp and colorful.

- Attach 46mm threaded #6420.46 Ikelite W-20 and other lenses directly to the front of the port.

- Attach 67mm threaded #6420 Ikelite W-20, Inon Type II and Epoque lenses using the #9306.81 port adapter. This adapter may also be used to attach 67mm threaded macro lenses.

- Attach bayonet style Inon macro or UWL-100 28AD, UWL-105AD and UFL-165AD wide angle or macro lenses using the #9306.79 port adapter.

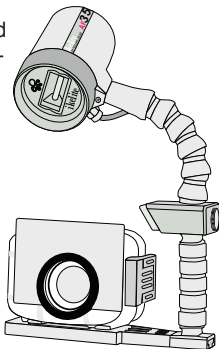
Moderate to extreme vignetting (shading in the corners) will be present in the widest setting when using an external accessory lens. This effect can be eliminated by zooming in slightly.

AF35 Strobe Package #4035

The AutoFlash AF35 kit is a great compliment, and an effortless, affordable way to add a flash to your new Ikelite point and shoot camera system. Everything you need to get started is in the box. Just attach it to the bottom of your housing and start taking pictures!

AF35 AutoFlash kit includes:

AF35 strobe - Flex arm - AutoFlash sensor
Handle with rubber grip - Tray (single or dual)
Mounting hardware.



A full range of accessories is available to support your housing. Please visit http://www.ikelite.com/web_two/sony_w530.html to see the most current information about recommended accessories for your housing.

Ikelite Technical Support

E-mail: ikelite@ikelite.com

Phone 317.923.4523

Fax 317.924.7988



Ikelite Underwater Systems
50 West 33rd Street
Indianapolis, IN 46208 USA

www.ikelite.com