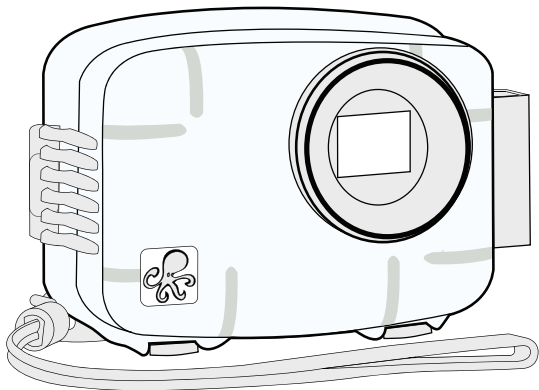




# Digital Housing

## Supplemental Instructions

### 6231.31 for Olympus TG-310



### Size and Weight

Width .....6.6 in. (168mm) including controls

Height .....4.4 in. (112mm) including controls

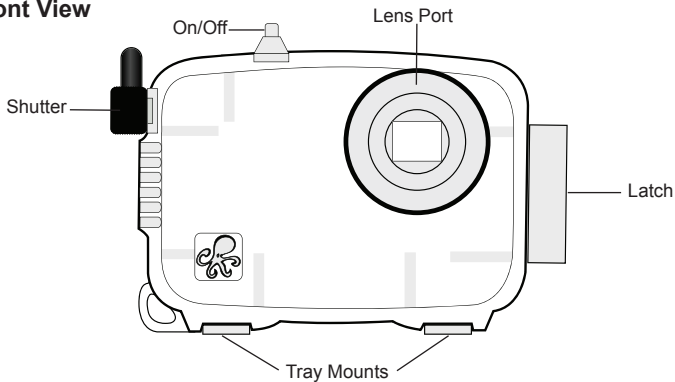
Depth.....3.3 in. (84mm) including controls & lens port

Weight .....1 lb. (454g)

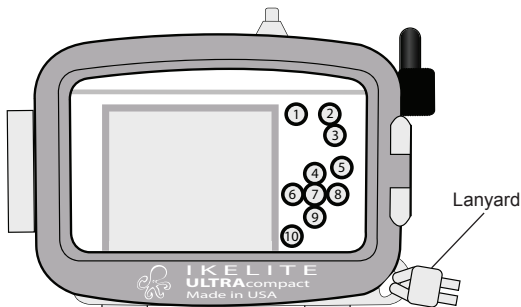
Buoyancy.....Slightly positive in fresh water

# Housing Controls

## Front View




## Back View



- |                            |                        |
|----------------------------|------------------------|
| 1. Zoom Button (Wide)      | 6. Left Button         |
| 2. Zoom Button (Telephoto) | 7. OK Button           |
| 3. Movie Record Button     | 8. Right Button        |
| 4. UP Button (Info)        | 9. Down Button (Erase) |
| 5. Playback Button         | 10. Menu Button        |

## Initial Camera Settings

- Set Date and Time.
- Insert and Format an SD memory Card (2 GB or higher recommended).
- Set Shooting Mode to “P” Program Auto.
- Set ISO to “80.”
- Set White Balance to “Auto.”
- Set Flash Mode to Fill In “lightning ⚡ bolt only.”
- Set Shadow Adjust to “Off.”
- Set AF Mode to “Spot.”
- Turn ESP Off (set to dot inside rectangle icon).
- Set Image Stabilizer to “On.”

**Notes:** Enable Macro  mode when shooting close-up subjects. If overexposure occurs, back away from the subject and zoom in.

- Flash does NOT function in the super macro mode.
- A strobe focusing light is recommended to assist autofocus underwater.

## External Accessory Lenses

An external wide angle conversion lens increases angle of coverage so you can get much closer to your subject while still fitting everything in the frame. By reducing the amount of water between the subject and your camera lens, the resulting image will be more crisp and colorful.

Attach 67mm threaded 6420 Ikelite W-20, Inon Type II and Epoque lenses using the 9306.78 port adapter. This adapter may also be used to attach 67mm threaded macro lenses.

Attach bayonet style Inon macro or UWL-100 28AD, UWL-105AD and UFL-165AD wide angle or macro lenses using the 9306.85 port adapter.

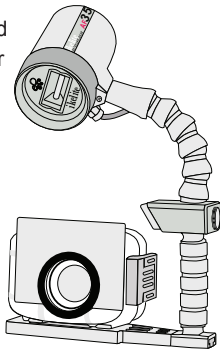
Vignetting (shading in the corners) will be present in the widest setting when using an external accessory lens. This effect can be eliminated by zooming in slightly.

## AF35 Strobe Package 4035

The AutoFlash AF35 kit is a great compliment, and an effortless, affordable way to add a flash to your new Ikelite point and shoot camera system. Everything you need to get started is in the box. Just attach it to the bottom of your housing and start taking pictures!

### AF35 AutoFlash kit includes:

AF35 strobe - Flex arm - AutoFlash sensor  
Handle with rubber grip - Tray (single or dual)  
Mounting hardware.



A full range of accessories is available to support your housing. Please visit [http://www.ikelite.com/web\\_two/oly\\_tg310.html](http://www.ikelite.com/web_two/oly_tg310.html) to see the most current information about recommended accessories for your housing.

## Ikelite Technical Support

E-mail: [ikelite@ikelite.com](mailto:ikelite@ikelite.com)

Phone 317.923.4523

Fax 317.924.7988



**Ikelite Underwater Systems**  
**50 West 33rd Street**  
**Indianapolis, IN 46208 USA**

[www.ikelite.com](http://www.ikelite.com)

6231.31\_Olympus\_TG310\_1-0511