

Ikelite Underwater Systems
 50 W 33rd Street
 Indianapolis, IN 46208
 317-923-4523
 Email - Ikelite@ikelite.com
 Web Site - www.ikelite.com
 PCm Lite 03-0109

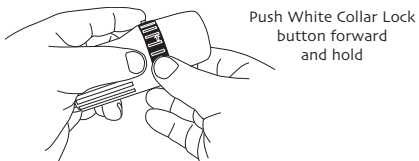


LUBRICANT IS PACKED IN THE FOLD OF THE CARTON

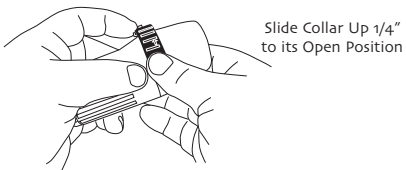
CAUTION

Above water use with the high intensity bulb should be limited to about ten minutes to avoid damage to the reflector and lens. Optional krypton bulb #0042.52 is available for extended use above water. Remove batteries when not in use. Switch must be locked when travelling to prevent accidental turn-on which would deplete the batteries and could even start a fire.

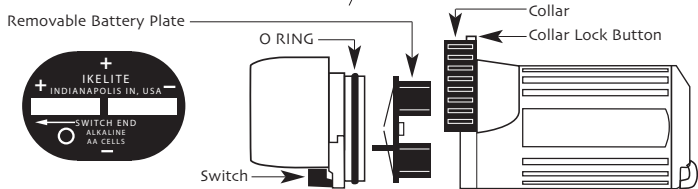
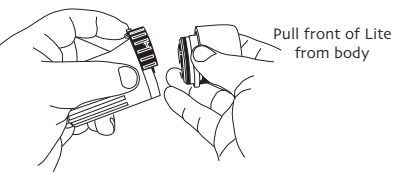
The White Collar Lock Button must be pushed "forward" and held to release the Collar. Hold the body with one hand while pushing the White Collar Lock button forward with your finger.



Slide the Collar up about 1/4" to its "open" position while holding the Collar Lock Button forward.



The Collar Lock Button can now be released and the front of lite can be pulled from the body.

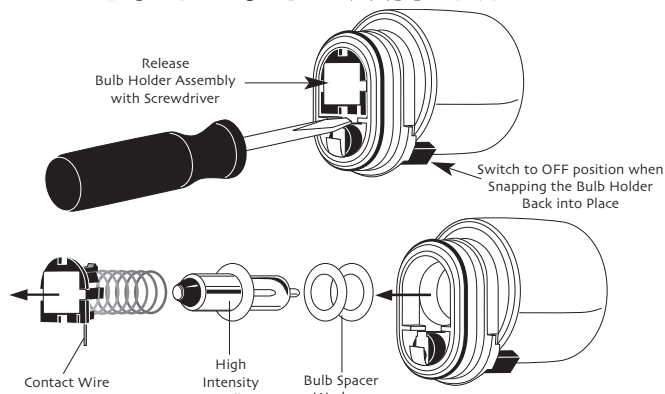


NOTE: Lithium-ion batteries are not recommended. Use of lithium-ion batteries can lead to shortened bulb life or bulb failure.

Lift out the removable top battery plate and load four "AA" size alkaline batteries into the body. Note the polarity chart is engraved on top of the removable plate. Left-to-right orientation of the top plate makes no difference. Then place the top plate back into the body.

The "O" ring must be clean and have a very light coating of silicone lube on the surface. Push the front into the body, **holding it tightly in place** while pushing the Collar Lock back to the closed position. Check that the Collar Lock Button has clicked into place securely.

BULB HOLDER ASSEMBLY



The PCm-Lite is supplied with a very special high intensity PR base bulb, but any standard PR base bulb for batteries can be used. Above water use with the very high intensity bulb should be limited to about ten minutes to avoid damage to the reflector and lens. Optional krypton bulb #0042.52 is available for extended use above water.

The Bulb Holder assembly snaps out of the front for bulb replacement. Several spacer washers may have been installed above the bulb to provide the best beam pattern. These should be saved for future use if they are not required with the replacement bulb.

Switch must be in the off position when snapping the bulb holder back into place. Check that the contact wire going from the bulb holder to the contact on the rotating knob is down in the recess of the front and not lying on top of the clear plastic.

- BULBS:** #0042.55 Special high intensity bulb
 #0447.5 Bulb spacer washers
 #0042.52 Optional longer burn time Krypton bulb

COLLAR: The two screws that secure the Collar Lock should be as tight as possible while still allowing the Collar Lock to move freely.

CAUTION: A severe jolt may bend the battery contacts which would keep the light from operating. The contacts can be bent back up to place more tension on the batteries if this happens.

Keep the o-ring and sealing surfaces clean. Do not stretch the o-ring when cleaning and applying the light coat of silicone lube. **NEVER** use spray lubricant as it will cause cracking of the plastic.

CAUTION: DO NOT use batteries that have been wet; batteries from a flooded lite should be discarded. The water could create an internal short circuit as some later date causing a potential explosion. The normal evolution of all batteries is emitting hydrogen gas. This gas must be absorbed or allowed to escape to prevent ignition of the entrapped hydrogen/air mixture. We suggest removal of the batteries during long periods of storage to prevent trapping any hydrogen/air mixture. A hydrogen absorber has been concealed inside this lite and should NOT be removed. In case the lite floods, install a new bulb holder #9030, which features the hydrogen absorber, and replace the batteries.

LIMITED WARRANTY: This light, except for the bulb and batteries, carries a lifetime guarantee against manufacturing defects. If any problem arises, it should be returned prepaid to Ikelite. Ikelite will, at its discretion, repair or replace any components that prove to be defective, and will return to the customer prepaid. All other claims, if any nature, including but not limited to bulb failure are not covered. Except as mentioned above, no other warranty expressed or implied, applies to this Ikelite product.