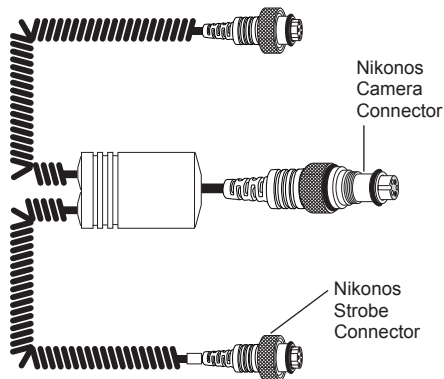




Nikonos TTL Dual Cord #4115.2

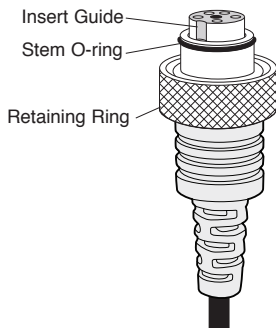
instruction manual

This Nikonos-style dual sync cord manufactured by Ikelite connects two Nikonos SB102, SB103, SB104, or SB105 strobes directly to one Nikonos IV, V, RS camera or suitable camera housing featuring the Nikonos-style female socket. Different model Nikonos SB-strobes can be combined.



Nikonos Camera Connector

Nikonos Strobe Connector



Connect Strobe

Connect secondary strobe to the cord with the red band.

1. Identify the strobe and camera ends of the cord. This section pertains to connecting the strobes. Make sure all components are dry.
2. Clean and lightly lubricate the stem o-ring and the strobe connector threads. Check the o-ring for nicks or cuts.
3. Note the positioning of the dual index notches on the stem. Properly align the stem and insert into the strobe connector.
4. Hand-tighten the knurled ring on the sync cord.
5. Push the connector body further into the strobe connector if possible and continue to tighten the knurled ring.

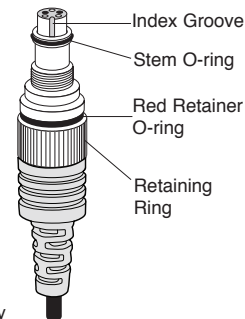
DO NOT remove the sync cord from the strobe or camera underwater, or when wet. Connections are NOT waterproof when disconnected underwater.

DO NOT leave the cord connected for prolonged periods or the cord may freeze to the strobe, or camera. After each dive, disconnect the cord and lightly lubricate the connector threads. Never use spray lubricant.



Connect Camera

1. Mount the Nikonos camera on the tray. Make sure all components are dry.
2. Clean and lightly lubricate the stem shaft, o-ring and retaining ring threads. Check the stem o-ring for nicks or cuts.
3. Align the index groove with the white dot of camera flash socket; insert stem into the camera.
4. Rotate the retaining ring counterclockwise until it mates with the camera socket threads. Then, carefully rotate the retaining ring clockwise and thread it into the camera body until snug.



Verify Connection to Nikonos V Only

Check the connection by turning ON the strobe and advancing the camera's film advance to frame #1 and the ISO dial to 800 or above. The ready light in the Nikonos viewfinder will blink if the proper connection has been made. Reset the ISO dial to the film speed being used.

Firing Only One Strobe

Both strobes must remain connected at ALL times underwater.

Connect secondary strobe to cord WITH the red band. Should you decide to use only one strobe, turn OFF the strobe connected to the cord with the red band. If you turn OFF the other strobe, the ready light in the camera viewfinder will NOT light, the camera's shutter speed may not sync with the flash, and the TTL automation is canceled.

Lubricants

We recommend you use **only** Ikelite lubricant on Ikelite products. Some other brands may cause the o-rings to swell and not seal properly. **Never use spray lubricants. The propellant ingredient in spray lubricants can cause swelling of o-rings.**

Ikelite Limited Warranty

This product is warranted against any manufacturing defects for a period of one year from the original date of purchase. Defective products should be returned prepaid to Ikelite. Ikelite will, at its discretion, repair or replace such products, and will return to customer prepaid. All other claims of any nature are not covered. Except as mentioned above, no other warranty expressed or implied, applies to this Ikelite product.

Ikelite Underwater Systems
50 West 33rd Street
Indianapolis, IN 46208 USA