

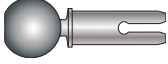





Ikelite

Strobe Arm Component Parts


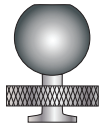
i n s t r u c t i o n m a n u a l

Strobe Arm Component Parts

Note that many components are available with either SA-100 size 2.5cm (1") balls or SA-125 size 3.2cm (1.25") balls. Please pay particular attention to ball diameter required when ordering. Use 2.5cm (1") components with Ultralight or TLC arm systems.

- (A) Ball with Short Length Stem
#9577.3 SA-125 3.2cm (1.25") Ball 
- (B) Ball with Extended Length Stem
#9571.3 SA-100 2.5cm (1") Ball
#9577.33 SA-125 3.2cm (1.25") Ball 
- (C) Ball-to-Ball 10cm (4") Arm Extension
#0466.42 SA-100 2.5cm (1") Balls 
- (D) Ball-to-Ball 15cm (6") Arm Extension
#0466.62 SA-100 2.5cm (1") Balls
#0468.06 SA-125 3.2cm (1.25") Balls 
- (E) Ball-to-Ball 22cm (9") Arm Extension
#0466.92 SA-100 2.5cm (1") Balls
#0468.09 SA-125 3.2cm (1.25") Balls 
- (F) Ball-to-Ball 13cm (5") Arm Adapter
#0466.51 SA-100 and SA-125 Balls 

Strobe Arm Component Parts (continued)

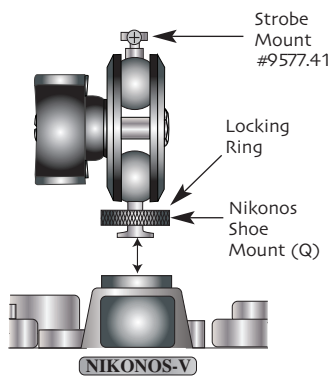
- (P) Ball with Universal T Mount
#9577.51 SA-100 2.5cm (1") Ball
#9577.5 SA-125 3.2cm (1.25") Ball 
- (Q) Ball with Nikonos IV/V Shoe Mount
#9577.6 SA-125 3.2cm (1.25") Ball 

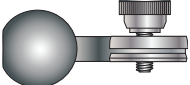
Nikonos Mount (Q)

The Nikonos Mount secures to the top of the Nikonos IV or V cameras. Slide the Nikonos Mount into the camera shoe and rotate the locking ring to secure in place. *Make sure locking ring is tight before entering the water.*

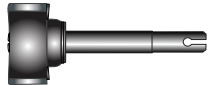

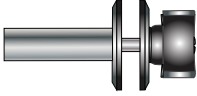
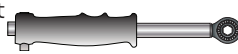
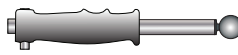


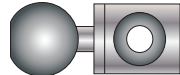

Combine the Nikonos mount with one ball clamp and strobe mount #9577.41 to mount the DS51 strobe directly to the top of the camera.

We do not recommend using a larger strobe or adding more components because the additional weight could damage the Nikonos camera shoe.



- (R) Ball with Dove-Tail Tray Mount (TLC arms)
#9577.7 SA-125 3.2cm (1.25") Ball 

Strobe Arm Component Parts (continued)

- (G) Tubular Mount with Stem
#9575.4 For Arms Featuring Tray Mounts
Also attaches Pro-V8 arm to release handle 
- (H) Top Ball Clamp
#9571.2 SA-100 2.5cm (1") Balls
#9577.2 SA-125 3.2cm (1.25") Balls 
- Bottom Ball Clamp with Stud
#9571.23 SA-100 2.5cm (1") Balls
#9577.23 SA-125 3.2cm (1.25") Balls 
- (J) Quick Release Handle with Strobe Mount
#9578.07 18cm (7") Extension 
- (K) Quick Release Handle with 3.2cm Ball
#9581.09 23cm (9") Extension 
- (L) Ball with DS50, DS51, DS125, DS160 Mount
#9571.4 SA-100 2.5cm (1") Ball 
- (M) Ball with DS200 Mount
#9577.42 SA-125 3.2cm (1.25") Ball 
- (N) Ball with Ikelite Tray Mount
#9577.71 SA-100 2.5cm (1") Ball
#9577.1 SA-125 3.2cm (1.25") Ball 
- (O) Ball with DS50, DS51, DS125, DS160 Mount
#9577.41 SA-125 3.2cm (1.25") Ball 

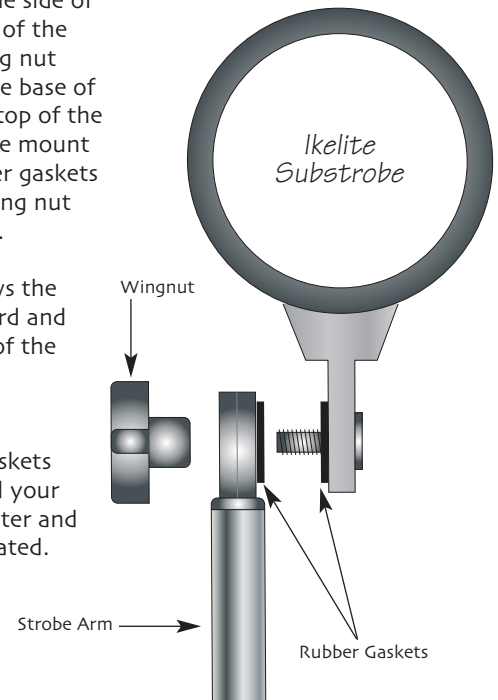
Mount Strobe to Arm Is - II

The Strobe Arm Is-II systems are compatible with all Ikelite strobes. This arm system is included as the standard arm in our less expensive Substrobe DS51 packages.

A rubber gasket is supplied with the arm. Insert the rubber gasket into the groove on one side of the mount at the top of the arm. Remove the wing nut from the mount at the base of the strobe. Place the top of the arm against the strobe mount so that the two rubber gaskets touch. Replace the wing nut and tighten to secure.

This adjustment allows the strobe to pivot forward and backward at the top of the arm.

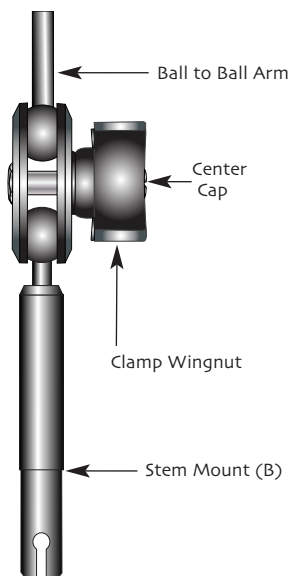
NOTE: The rubber gaskets create friction to hold your adjustments underwater and should NOT be lubricated.



Ball Clamp (H)

Loosen the wing nut on the ball clamp to adjust the positioning of the arm. The arm will pivot and rotate before tightening the wing nut. The wing nut's movement is limited by the center cap. This will prevent the wing nut from being loosened too far and causing accidental disassembly of the arm. Adjust the cap as desired to limit the wingnut movement.

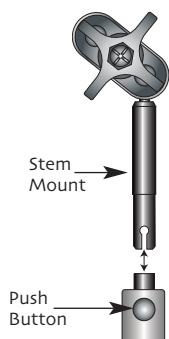
NOTE: When using the SA-100 2.5cm (1") ball arms, the clamp may not hold a larger strobe in various positions ABOVE water. This is because the SA-100 smaller ball arm system is designed to reposition a strobe underwater with little effort, after the clamp wing nut has been tightened.



Quick Release Handle (J, K)

The contoured rubber grip on the Quick Release Handle is removable at the release of a button.

To REMOVE the handle from the stem mount, depress the the Push Button on the handle while simultaneously pulling up on the Stem Mount. Reverse this procedure to REMOUNT the Stem Mount. When in the locked position, the push button will return to it's original position.



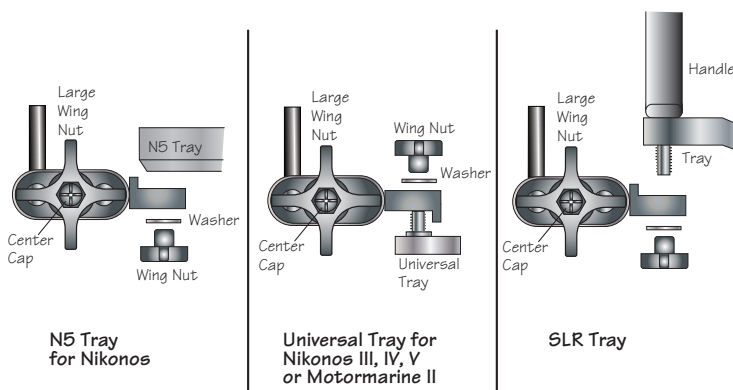
5

Ikelite Tray Mount (N)

The Ikelite tray mount secures the arm to the Ikelite systems referenced below. Remove the black wing nut and stainless washer from the tray or handle to expose the protruding bolt. For the Ikelite N5 tray, also remove the spacer block from the tray as referenced in the tray instructions.

Rotate the tray mount of the arm so it's circular recess will fit over the hex nut located on the protruding bolt of the camera tray or handle. Replace the washer and wing nut, and then tight to secure the arm.

NOTE: Ikelite offers Universal Mount (P) and TLC Mount (R) for other brand housing and tray systems.



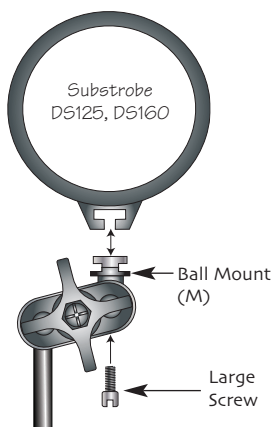
6

Substrobe DS125, DS160, DS200 Mount (M) - #9577.42, #9577.43

This strobe mount secures only to the DS125, DS160, and DS200 strobes, and permits the use of the ball clamp at the base of the strobe.

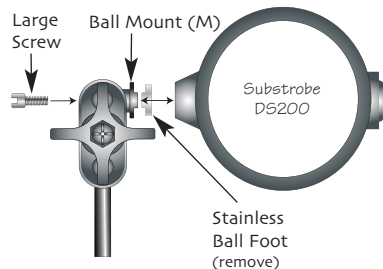
Mount Arm to Substrobe DS125, DS160

- Loosen the screw on the original strobe mount and remove it.
- Slide the ball mount into the base of the strobe.
- Loosen the ball clamp and rotate it to access the large screw on the backside of the mount.
- Tighten the large screw to secure the ball mount to the DS125 or DS160 strobe.



Mount Arm to Substrobe DS200

- Unscrew and remove the stainless ball foot from the ball mount. This ball foot is not needed with the Substrobe 200
- Slide the ball mount into the base of the strobe.
- Loosen the ball clamp and rotate the ball clamp to access the large screw on the backside of the mount.
- Place the ball mount against the mount on the side of the strobe.
- Tighten the large screw to secure the ball mount to the DS200 strobe.

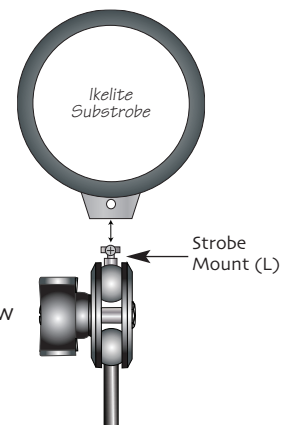


7

Substrobe DS51, DS125, DS160 Mount (L) - #9571.4, #9577.41

This strobe mount secures to the Ikelite DS51, DS125, and DS160 strobes, and permits the use of the ball clamp at the base of the strobe.

- Loosen the screw and remove the original strobe mount.
- On the new mount, there is a screw opening at each end, with one screw opening positioned higher than the other.
- Select the appropriate end, slide the new strobe mount into the base of the strobe, and then secure with the screw.



Ikelite Limited Warranty

All Ikelite products are warranted against any manufacturing defects for a period of one year from the original date of purchase. Defective products should be returned prepaid to Ikelite. Ikelite will, at its discretion, repair or replace such products, and will return to customer prepaid. All other claims, of any nature, including but not limited to bulb failure are not covered. Except as mentioned above, no other warranty expressed or implied, applies to this Ikelite product.

Ikelite Underwater Systems
50 W 33rd Street
Indianapolis, IN 46208 USA
317-923-4523

"general questions" e-mail: ikelite@ikelite.com
www.ikelite.com